

A MODULAR TEMPERATURE SENSOR ASSEMBLY SYSTEM FOR THE INSTRUMENTATION MAINTENANCE PROFESSIONAL



BENEFITS:

- Improved process uptime
- Reduced expediting & related costs
- Fewer emergency orders
- Lower inventory





YOU HAVE A PROBLEM...

3:00 PM on a Friday afternoon, and you've just discovered a temperature sensor has failed in an important process. The Safety Engineer wants the process shut down, but you're under pressure to keep production moving. You're going to spend the rest of the afternoon in "Panic Mode," calling every sensor supplier you can think of, begging for the best delivery at a premium. Not very pretty.

If this sounds familiar, then the SENSOR BOX™ was developed to help improve your life. Maintenance or instrument technicians can now build a new temperature sensor assembly, install it and the plant can be back up and running in minutes rather than days! The SENSOR BOX™ is designed for any plant where temperature sensors are an important part of the operation, and downtime is not an option.

WE CAN HELP

The SENSOR BOX™ is a rugged toolbox containing all of the parts and tools to quickly and easily build the sensor you urgently need. It is:

- **Flexible** - adaptable to most process plants:
 - Power
 - Chemical
 - Refining
 - Offshore Oil Production
- **Comprehensive** - It can include a variety of sensor types and hardware of your choice.
- **Self-contained** - Everything you need to build the right product is at your fingertips.
- **Industrial** - The toolbox and tools are rugged, designed for hard duty.
- **Easy to use** - Complete, easy to follow instructions are included.

HOW WE DO IT

The Sensor Box™ can be your solution to expediting, high inventory and expensive downtime. One of the challenges in maintaining industrial temperature sensors is the variety. It is difficult for the typical process plant to stock every sensor configuration they might need to replace – until now. By combining common parts into a modular system, a relatively small amount of stock can translate into the variety you need – quickly, and without expediting.

BUILDING YOUR SENSOR BOX™

A Sensor Box™ is specified in three stages, to maximize its flexibility to your needs:

1. The foundation: the Tool Box and tools required to build sensors (everything you need will be close at hand!)
2. The sensor diameter(s) required – choose based on either 0.250" or 0.188" diameters (need both? Add parts as needed!)
3. The terminal heads required – choose either NEMA 4 or explosion-proof terminal heads (or specify option E99 and customize the box however you like!)

How to build a part number:

Base	Specify a total of 6 sensor pods using the codes below, along with the quantity (e.g., "P11Q3" indicates (3) J type thermocouples)	Terminal Head Package

Base:
SB250 – Sensor Tool Box for 0.250" diameter sensors (contains (6) HS2524 housings, TS1092 nylon wire guides, custom crimper, wire stripper, tube cutter, screwdriver, tape measure and instructions)
SB188 – Sensor Tool Box for 0.188" diameter sensors (contains (6) HS1824 housings, TS1094 Teflon strain reliefs, custom crimper, wire stripper, tube cutter, screwdriver, tape measure and instructions.

E1Q3:
 Contains:
 (3) NEMA 4 rated terminal heads
 (3) Ceramic terminal blocks
 (3) Spring-loading kits
 (3) **US1011** union connectors
 (6) **NS1002** stainless steel nipples (2" long)

E2Q3:
 Contains:
 (3) Division 1, explosion-proof terminal heads
 (3) Ceramic terminal blocks
 (3) Spring-loading kits
 (3) **HF1091** union connectors
 (6) **NS1002** stainless steel nipples (2" long)

E99:
 No standard heads or hardware included.

Specify a quantity of (6) sensor pods from the lists below:

For the SB250 Box		For the SB188 Box		Description
Ordering Number	Quantity	Ordering Number	Quantity	
STYLE MI1113 OR MI1115 GROUNDED THERMOCOUPLES, RATED FOR 900°F (48" fiberglass leads)				
P11Q		P51Q		J calibration
P12Q		P52Q		K calibration
P13Q		P53Q		T calibration
P14Q		P54Q		E calibration
STYLE MI1113TF OR MI1115TF GROUNDED THERMOCOUPLES, RATED FOR 400°F (48" Teflon leads)				
P15Q		P55Q		J calibration
P16Q		P56Q		K calibration
P17Q		P57Q		T calibration
P18Q		P58Q		E calibration
STYLE MI1113 OR MI1115 UNGROUNDED THERMOCOUPLES, RATED FOR 900°F (48" fiberglass leads)				
P26Q		P66Q		J calibration
P27Q		P67Q		K calibration
P28Q		P68Q		T calibration
P29Q		P69Q		E calibration
STYLE MI1113TF OR MI1115TF UNGROUNDED THERMOCOUPLES, RATED FOR 400°F (48" Teflon leads)				
P30Q		P70Q		J calibration
P31Q		P71Q		K calibration
P32Q		P72Q		T calibration
P33Q		P73Q		E calibration
100-ohm platinum, 3-wire RTDs (DIN curve)				
P1Q		P41Q		fiberglass leads, rated for 900°F
P2Q		P42Q		Teflon leads, rated for 400°F
100-ohm platinum, 4-wire RTDs (DIN curve)				
P3Q		N/A		Teflon leads, rated for 400°F



COMMON PARTS AVAILABLE FOR ALL DIAMETERS

Terminal Heads with 4-Post Terminal Block Included (1/2" NPT process conn.)		
Part Number	Conduit Connection	Description
PH01	1/2"	Aluminum, ordinary locations
PH02	3/4"	Aluminum, ordinary locations (Std. with kit)
PH04	1/2"	Cast iron, ordinary locations
PH05	3/4"	Cast iron, ordinary locations
PH23	3/4"	Black polypropylene, ordinary locations
PH24	3/4"	White polypropylene, ordinary locations
PH47	3/4"	316 stainless steel, ordinary locations
PH50	1/2"	Aluminum, explosion-proof, 3-post block
PH51	3/4"	Aluminum, explosion-proof, 3-post block

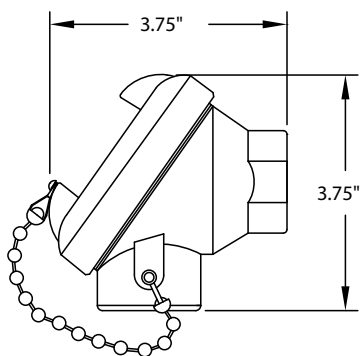
Terminal Blocks	
Part Number	Description
PH41	4-post, ceramic
PH48	3-post, ceramic, for PH50 and PH51 heads

Carbon Steel Nipples (1/2" NPT)	
Part Number	Description
NC1001	1" long
NC1002	2" long
NC1003	3" long
NC1004	4" long
NC1006	6" long

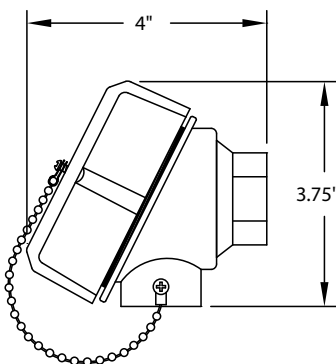
Stainless Steel Nipples (1/2" NPT)	
Part Number	Description
NS1001	1" long
NS1002	2" long
NS1003	3" long
NS1004	4" long
NS1006	6" long

Plugs and Jacks (see next page for crimp insert)	
Part Number	Description
PT05-	Thermocouple plug (specify J, K, E or T); e.g., PT05-J
PT05-3	3-pin RTD plug
PT06-	Thermocouple jack (specify J, K, E or T); e.g., PT06-K
PT06-3	3-pin RTD jack
PA10	Wire clamp

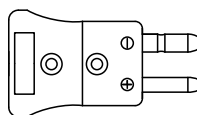
Unions (1/2" NPT)	
Part Number	Description
US1011	Stainless steel, ordinary location
HF1091	Plated steel, explosion-proof



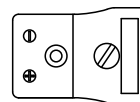
PH02



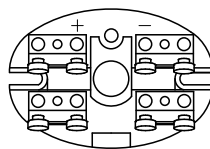
PH50



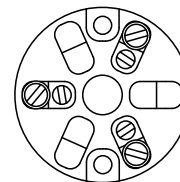
PT05



PT06



PH41



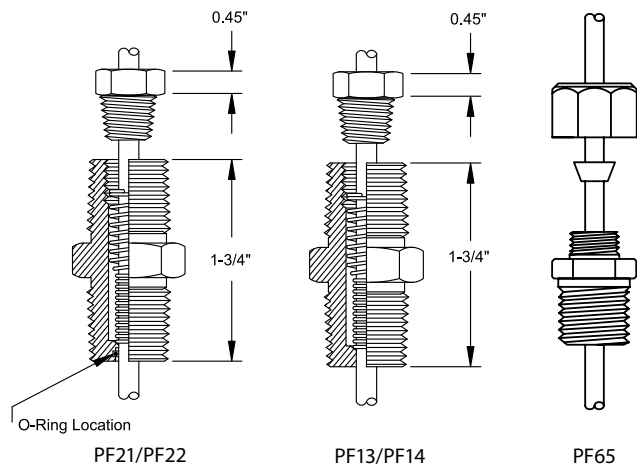
PH48

PARTS DESIGNED FOR USE WITH .250" O.D. SENSORS

Thermocouple Sensor Pods* (standard limits of error with 48" leads)	
MI1113_U	Ungrounded junction, fiberglass insulation (specify J, K, E or T calibration; e.g., MI1113KU)
MI1113_G	Grounded junction, fiberglass insulation (specify J, K, E or T calibration; e.g., MI1113KG)
MI1113TF_U	Ungrounded junction, Teflon® insulation (specify J, K, E or T calibration; e.g., MI1113TFJU)
MI1113TF_G	Grounded junction, Teflon® insulation (specify J, K, E or T calibration; e.g., MI1113TFJG)
*For dual element, specify as JJ, KK, EE or TT	
RTD Sensor Pods (100-ohm, Class B, 0.00385 alpha with 48" leads)	
Part Number	Description
RT1254	3-wire, fiberglass insulation (std)
RT1260	3-wire, Teflon® insulation (std)
RT1257	4-wire, Teflon® insulation
RT1276	4-wire, fiberglass insulation
Housings (stainless steel, one closed end)	
HS2512	0.250" O.D. x 12" long
HS2524	0.250" O.D. x 24" long (std. with kit)
HS2536	0.250" O.D. x 36" long
HS2548	0.250" O.D. x 48" long
Spring-Loading Kits	
AC1087	For 0.250" housings
Spring-Loaded Hex Fittings (1/2" NPT)	
PF14	Stainless steel, for 0.250" housings
PF22	Stainless steel, with o-ring seal for 0.250" housings
Compression Fittings	
PF65	1/4" NPT, 316 stainless steel body and ferrule
PF66	1/4" NPT, 316 stainless steel body; Teflon® ferrule
PF73	1/2" NPT, 316 stainless steel body and ferrule
PF74	1/2" NPT, 316 stainless steel body; Teflon® ferrule
Crimp Insert for Plug	
B1250	Brass crimp insert, for 0.250" housings
Strain Reliefs (Bag of 10)	
TS1092	Nylon grommet for 0.250" housings
Armor Cable Kit	
TS1093	3' stainless armor and adaptor for 0.250" housings

PARTS DESIGNED FOR USE WITH .188" O.D. SENSORS

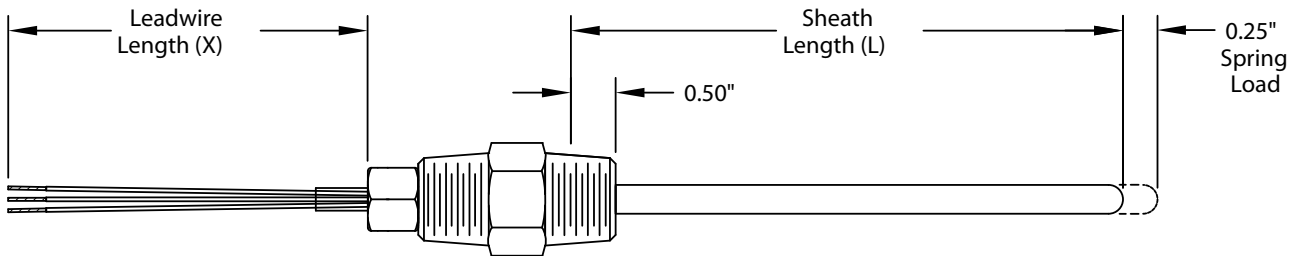
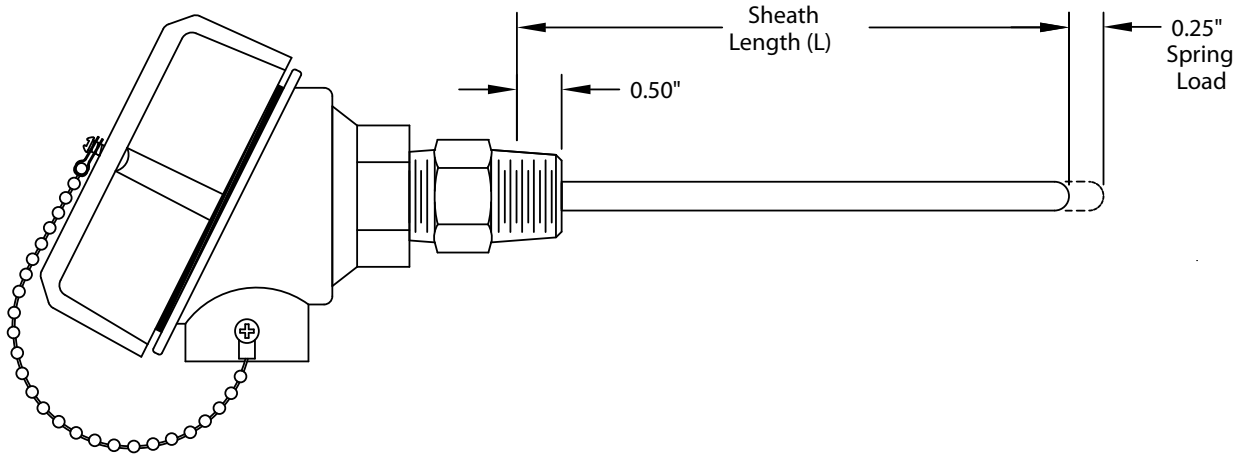
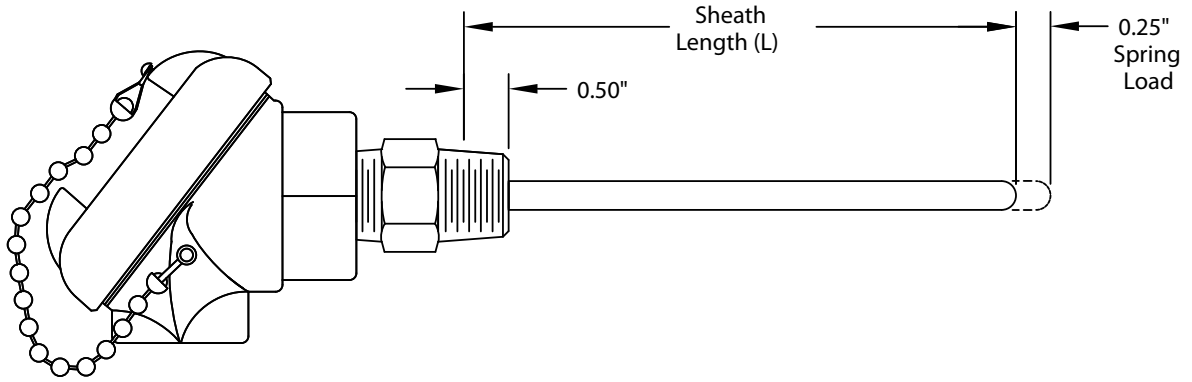
Thermocouple Sensor Pods* (standard limits of error with 48" leads)	
MI1115_U	Ungrounded junction, fiberglass insulation (specify J, K, E or T calibration; e.g., MI1115KU)
MI1115_G	Grounded junction, fiberglass insulation (specify J, K, E or T calibration; e.g., MI1115KG)
MI1115TF_U	Ungrounded junction, Teflon® insulation (specify J, K, E or T calibration; e.g., MI1115TFJU)
MI1115TF_G	Grounded junction, Teflon® insulation, 48" long (specify J, K, E or T calibration; e.g., MI1115TFJG)
*For dual element, specify as JJ, KK, EE or TT	
RTD Sensor Pods (100-ohm, Class B, 0.00385 alpha with 48" leads)	
Part Number	Description
RT1184	3-wire, fiberglass insulation
RT1256	3-wire, Teflon® insulation
Housings (stainless steel, one closed end)	
HS1812	0.188" O.D. x 12" long
HS1824	0.188" O.D. x 24" long
HS1836	0.188" O.D. x 36" long
HS1848	0.188" O.D. x 48" long
Spring-Loading Kits	
AC1088	For 0.188" housings
Spring-Loaded Hex Fittings (1/2" NPT)	
PF13	Stainless steel, for 0.188" housings
PF21	Stainless steel, with o-ring seal for 0.188" housings
Compression Fittings	
PF55	1/4" NPT, 316 stainless steel body and ferrule
PF56	1/4" NPT, 316 stainless steel body; Teflon® ferrule
PF59	1/2" NPT, 316 stainless steel body and ferrule
PF60	1/2" NPT, 316 stainless steel body; Teflon® ferrule
Crimp Insert for Plug	
B1188	Brass crimp insert, for 0.188" housings
Strain Reliefs (Bag of 10)	
TS1094	Teflon® strain relief for 0.188" housings

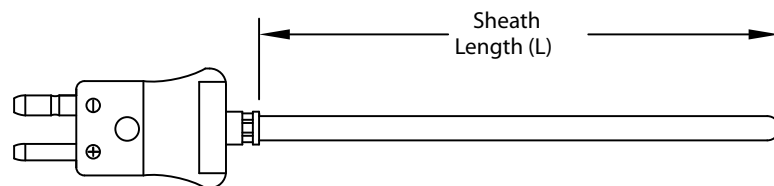
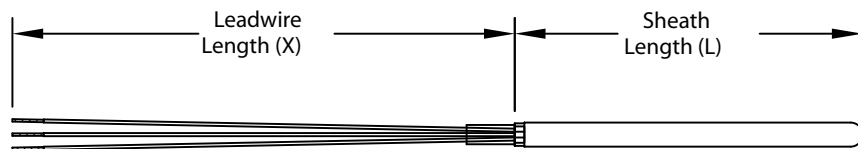
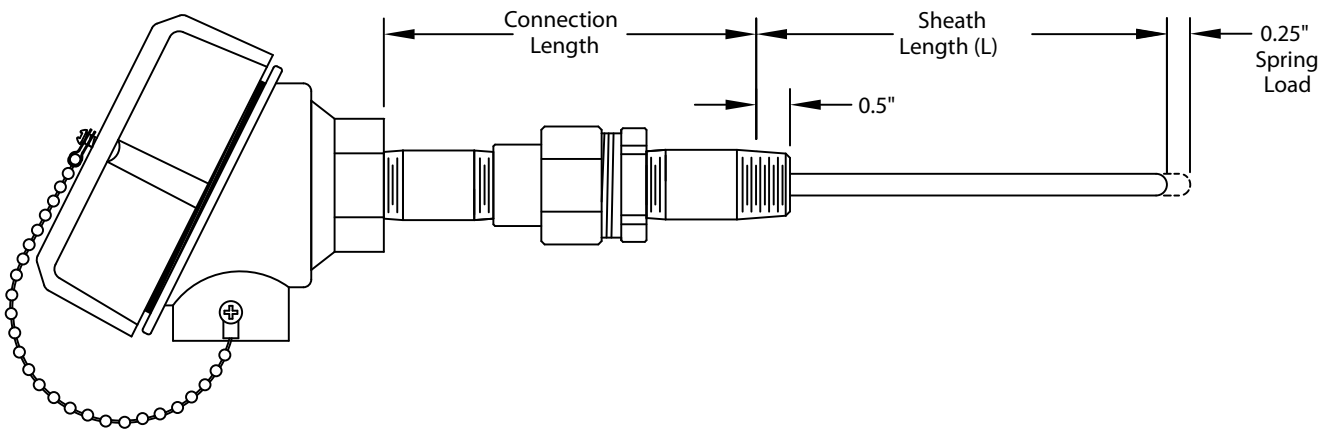
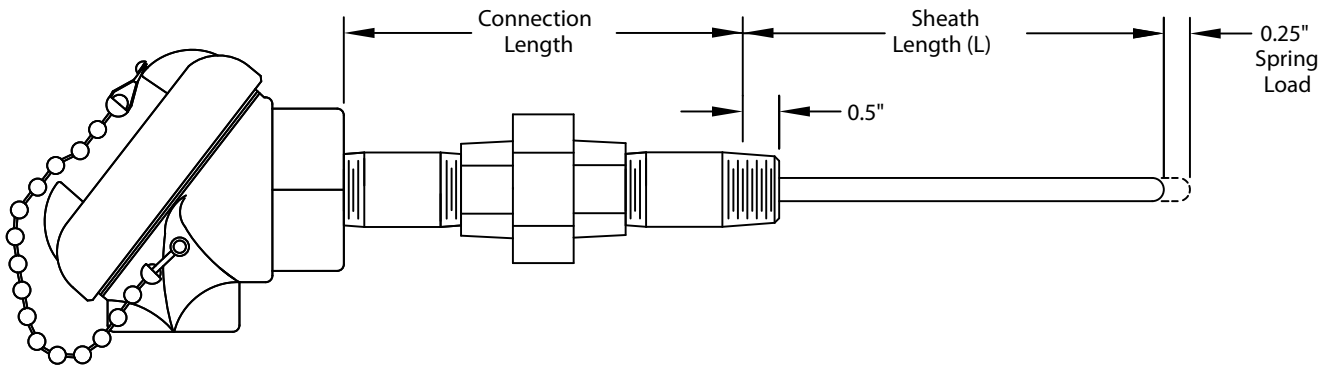




OUTLINE DRAWINGS OF SOME OF THE ASSEMBLIES THAT CAN BE BUILT USING SENSOR BOX™ COMPONENTS

Dimensional drawings for all models may be found at www.appliedsensortech.com





Appplied Sensor Technologies, a division of United Electric Controls, is a major manufacturer of thermocouple, RTD, thermistor and other temperature sensor assemblies. ISO 9001:2000 certified and a leading practitioner of JIT and Lean Manufacturing methods, Applied Sensor Technologies has expertise in a wide variety of process applications, from the blast furnace to the blast freezer; from chemical processing to food processing. Please visit our website: www.appliedsensortech.com, or give us a call at 617-923-6966!

U.S. SALES OFFICES

United Electric Controls
31 Old Stage Road
Hampton Falls, NH 03844
Phone: 617-899-1132
email: northeastsales@ueonline.com

United Electric Controls
1022 Vineyard Drive
Conyers, GA 30013
Phone: 770-335-9802
email: southeastsales@ueonline.com

United Electric Controls
102 Salazar Court
Clayton, CA 94517
Phone: 925-408-5997
email: westcoastsales@ueonline.com

United Electric Controls
33018 Weatherby Court
Fulshear, Texas 77441
Phone: 832-457-6138
email: southwestsales@ueonline.com

United Electric Controls
28 N. Wise Ave.
Freeport, IL 61032
Phone: 815-341-2588
email: midwestsales@ueonline.com

United Electric Controls
5829 Grazing Court
Mason, OH 45040
Phone: 513-535-5486
email: midatlanticsales@ueonline.com

United Electric Controls
27 Summit Terrace
Sparta, NJ 07871
Phone: 973-271-2550
email: easternsales@ueonline.com

INTERNATIONAL OFFICES

CHINA
United Electric Controls
Room 1011, 10th Flr,
Huai Hai Zhonghua Building
No. 885, Renmin Road, Luwan District
Shanghai 200010, P.R. China
Phone: +8621-6255 8059
email: chinasales@ueonline.com

BEIJING
Room 3A01, No. 9, Yingu Bldg.
North-West Si Huan Road,
Haidian Dis.,
Beijing, 100080
China
Phone: +86 (-10) -62800956
email: beijingsales@ueonline.com

MEXICO
United Electric Controls
Zacatecas # 206, Suite 20
Col Guadalupe CP 89120
Tampico, Tamaulipas
Mexico
Phone: 833-132-3726
email: latinamericasales@ueonline.com

ASIA-PACIFIC
United Electric Controls, Far East
No. 1-2-2, 2nd Floor
Jalan 4/101C
Batu 5, Jalan Cheras
56100 Kuala Lumpur, Malaysia
Phone: 603-9133-4122
email: fareastsales@ueonline.com

EASTERN EUROPE & SCANDINAVIA
United Electric Controls
05-806 Komorow
Kujawska 5, Poland
Phone: +48 22 499 4804
email: easterneuropesales@ueonline.com

GERMANY
United Electric Controls
An Der Zentlinde 21
D-64711 Erbach, Germany
Phone: 496-062-7400
email: europesales@ueonline.com

RUSSIA
United Electric Controls, Moscow
Elninskaya str., 15-140
Moscow, Russia 121552
Phone: +7 (095) 792-88-06
email: russiansales@ueonline.com

INDIA
United Electric Controls
#402, Aries Avenue - 1
United Colony, Sama, Baroda
Gujart, India 390 008
Phone: +91-265-2788654
email: indiasales@ueonline.com

DIVISIONS

Precision Sensors
50 Seemans Lane
Milford, CT 06460
Phone: 203-877-2795
Fax: 203-877-8752
www.precisionensors.com

United Electric Controls
180 Dexter Avenue, P.O. Box 9143
Watertown, MA 02471-9143
Telephone: 617-926-4354
Fax: 617-926-1000
www.ueonline.com

CANADA OFFICES

EASTERN
68 Mosley Crescent
Brampton, Ontario
Canada L6Y 5C8
Phone: 905-455-5131
FAX: 905-455-5131

UE **APPLIED SENSOR TECHNOLOGIES**
A Division of UNITED ELECTRIC CONTROLS
180 Dexter Avenue, P.O. Box 9143
Watertown, MA 02471-9143 USA
Telephone: 617-923-6966 Fax: 617-926-8411
www.appliedsensortech.com